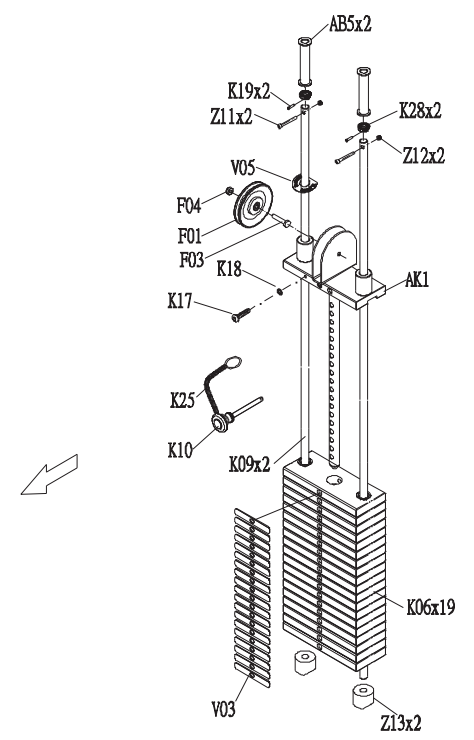
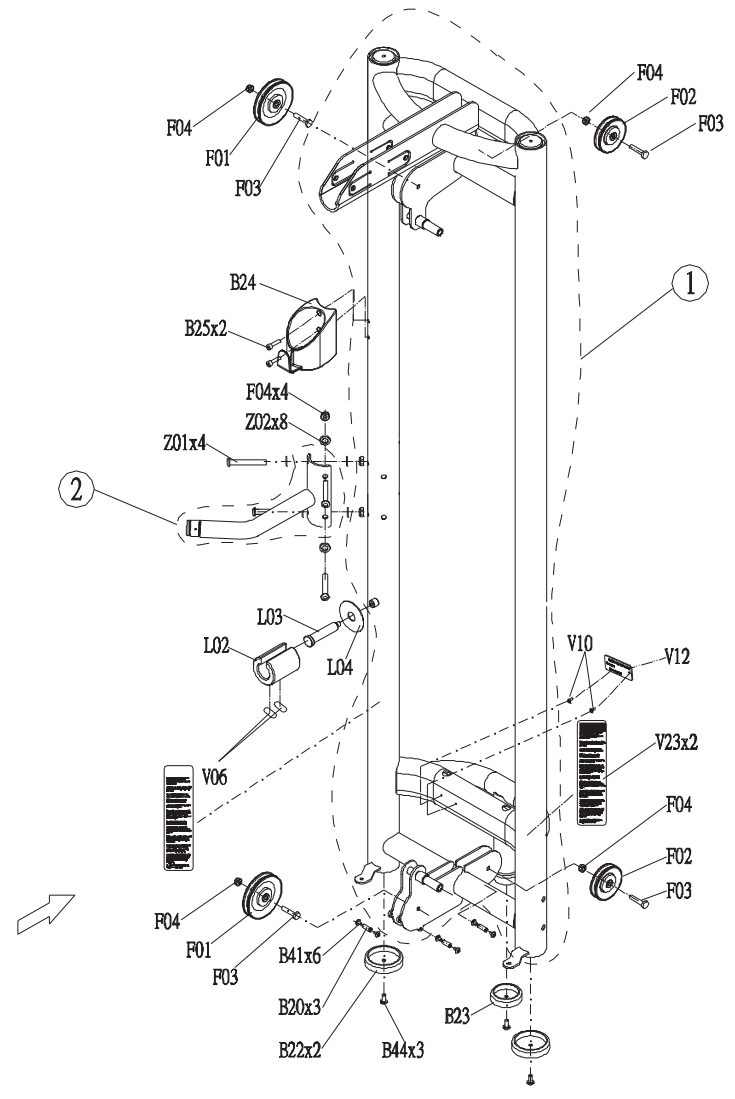
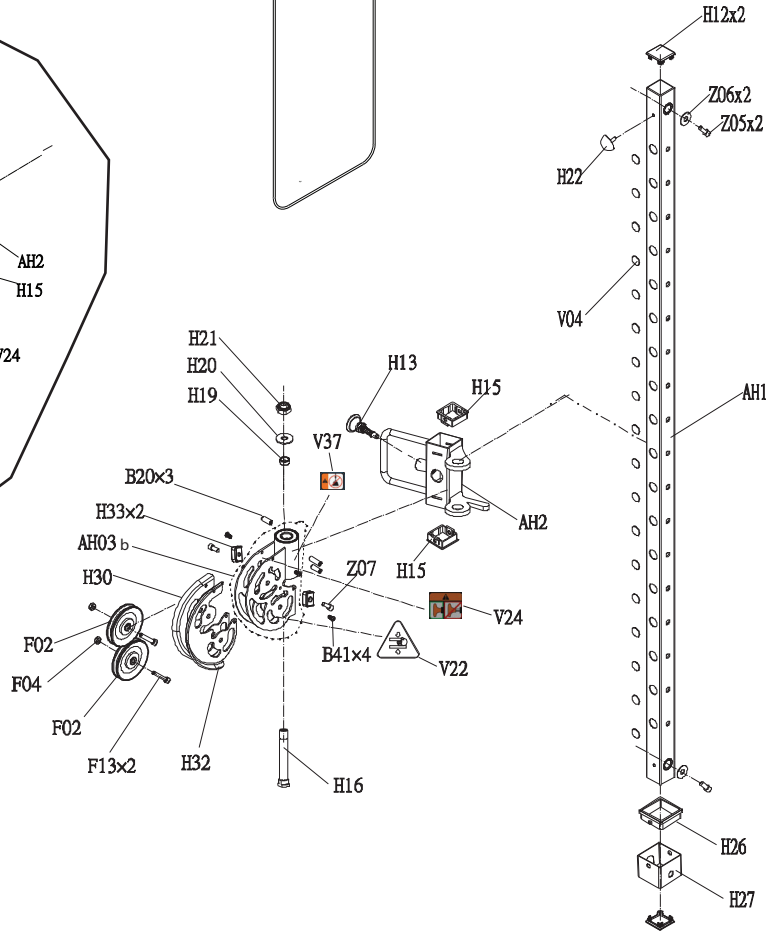
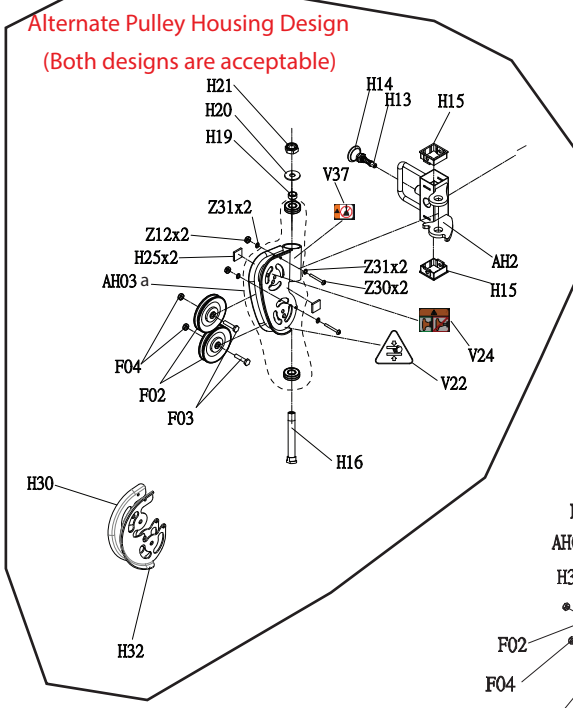
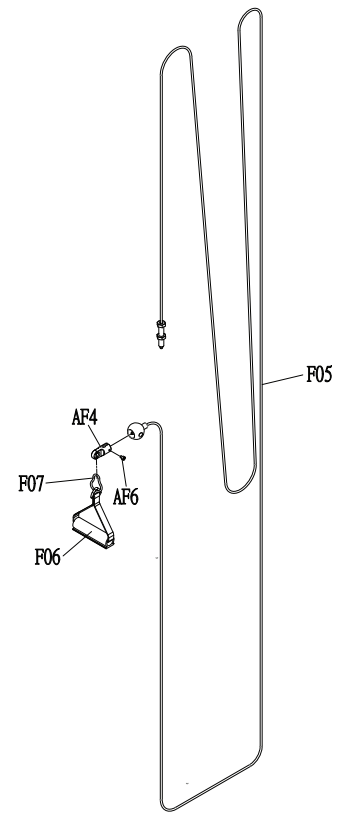
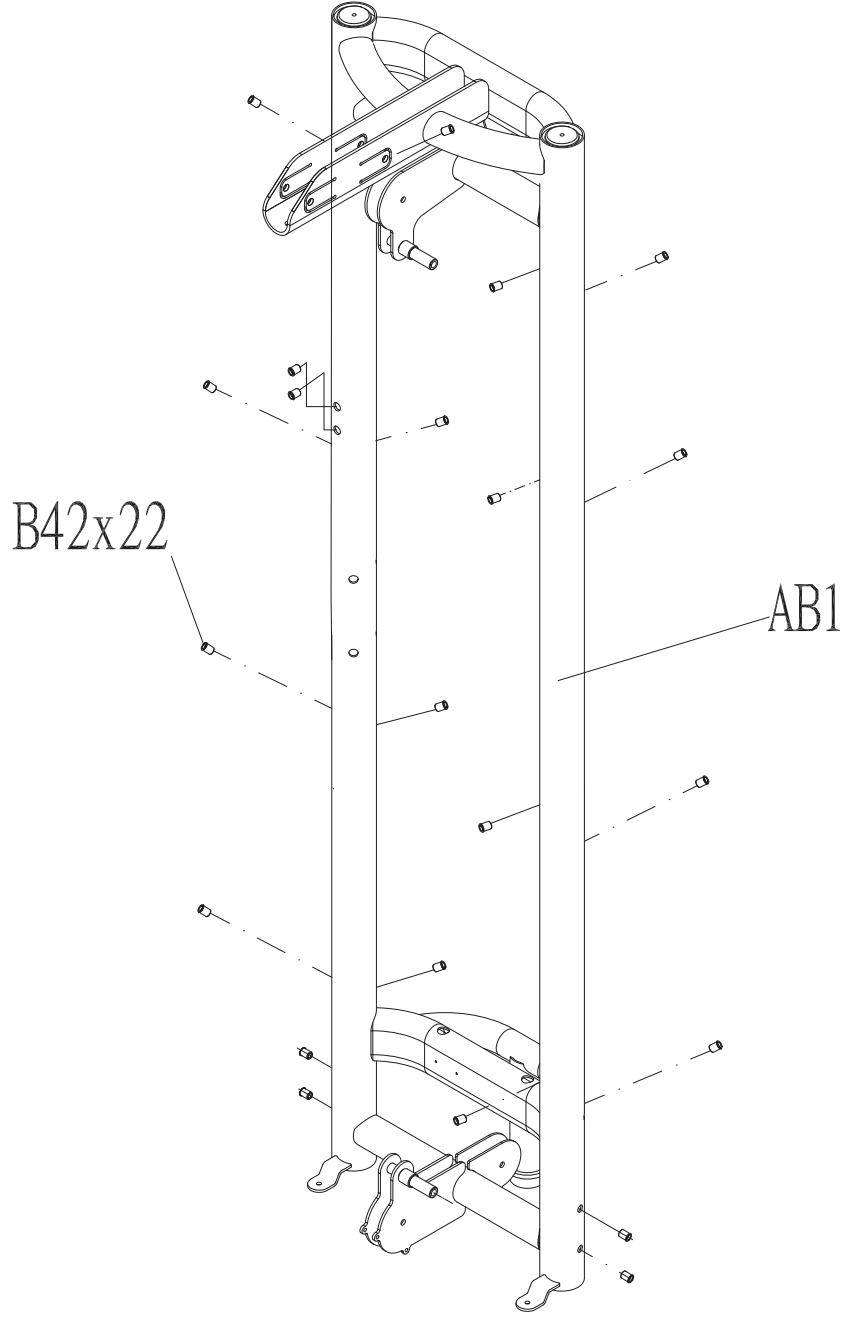


|            |  |
|------------|--|
| DRAWING NO |  |
| PART NAME  | FG Fabricate Set;MS23                                      |
| PART NO    | 1000330381 <span style="float: right;">REV B</span>        |
| APPROVE    | Ares <span style="margin-left: 20px;">DATE</span> 20150623 |



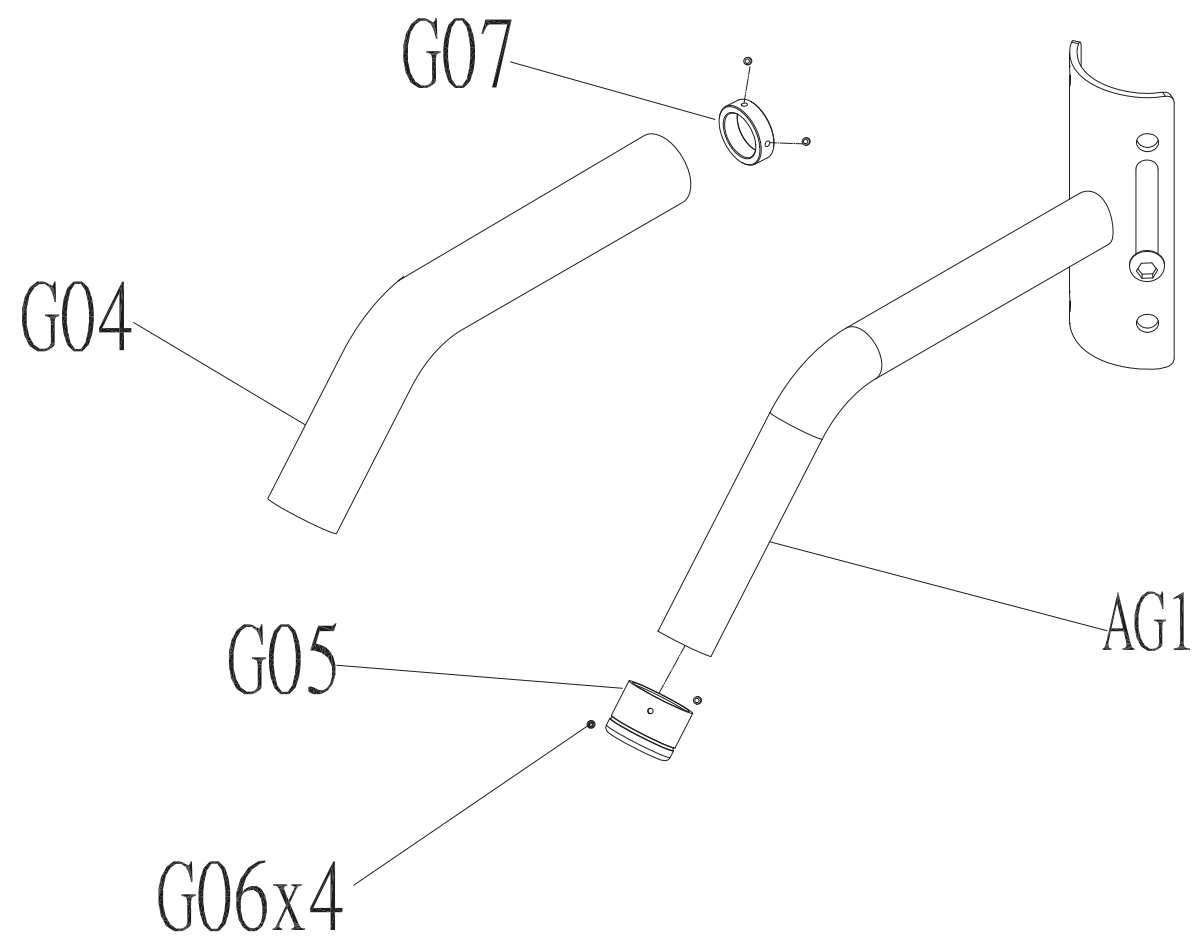
|            |                               |      |          |
|------------|-------------------------------|------|----------|
| DRAWING NO |                               |      |          |
| PART NAME  | Frame Set;Semi-Assy;MS23KM-G3 |      |          |
| PART NO    | See chart                     | REV  | A        |
| APPROVE    | Ares                          | DATE | 06/25/14 |


| Coulour     | Part no.   |
|-------------|------------|
| Default     | 097151     |
| Black Matte | 1000320669 |
| Iced Sliver | 1000349145 |

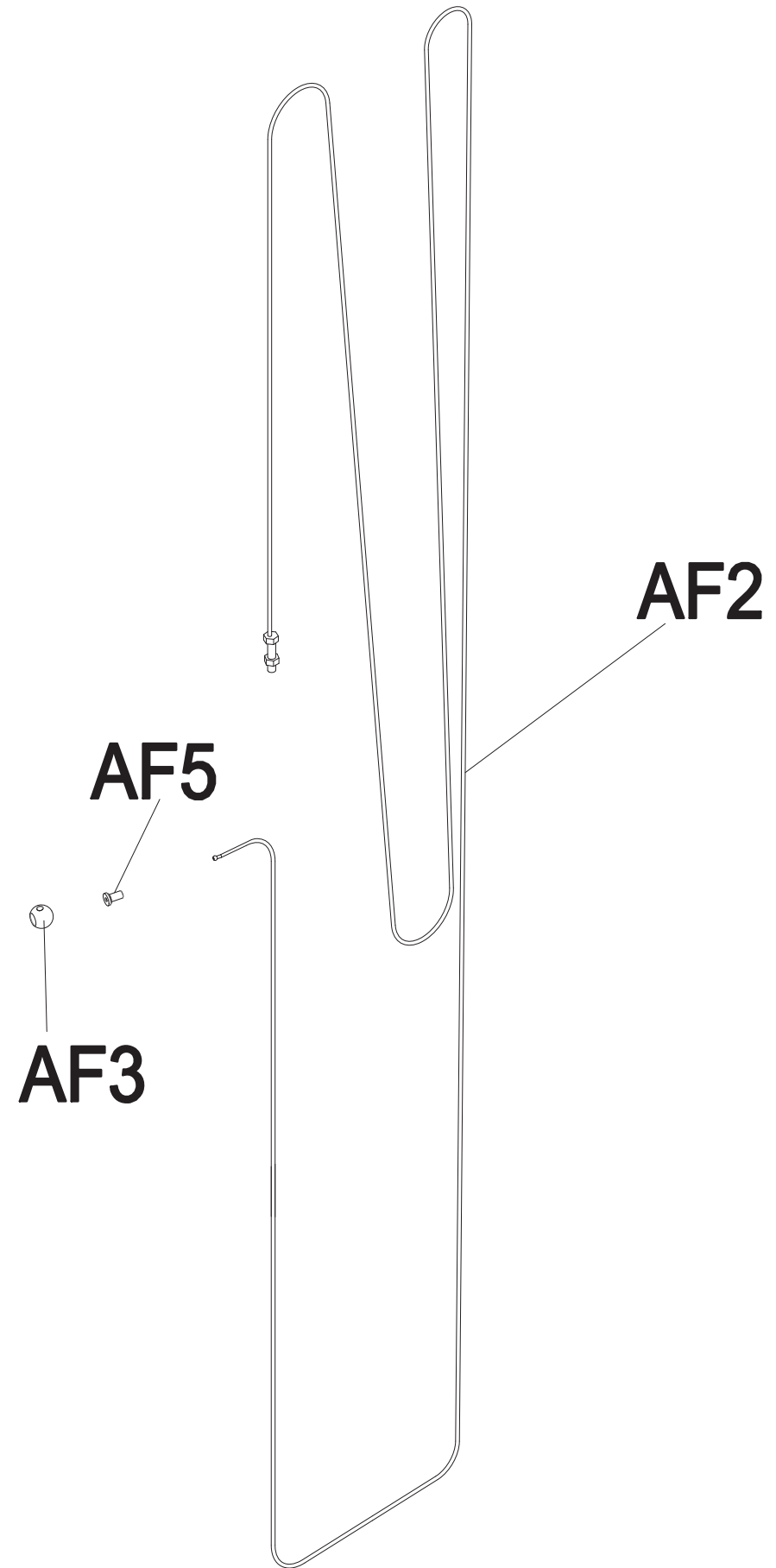


|            |                           |      |          |
|------------|---------------------------|------|----------|
| DRAWING NO |                           |      |          |
| PART NAME  | Handle set;Semi-Assy;MS21 |      |          |
| PART NO    | See chart                 | REV  | A        |
| APPROVE    | Ares                      | DATE | 06/25/14 |

| Coulour     | Part no.   |
|-------------|------------|
| Default     | 090123     |
| Black Matte | 1000320668 |
| Iced Sliver | 1000349143 |



|            |                                    |   |                   |
|------------|------------------------------------|---|-------------------|
| DRAWING NO | <b>MS21-SF36</b>                   |   |                   |
| PART NAME  | <b>Steel Rope Set;No Fix Block</b> |   |                   |
| PART NO    | <b>1000469945</b>                  |  | <b>A</b>          |
| APPROVE    | <b>SuYehua</b>                     | DATE  | <b>2021.08.19</b> |



| Reference Number | Part #     | Description  | Notes  |
|------------------|------------|--|--|
| 2                | 090123     | Grip Set   |  |
| AB5              | 1000363588 | Stopper set;Guide Rod;;painting;;;MS20;                                      | See "Guide Rod Stops" in Service Bulletins.                |
| AF3              | 1000431432 | Plastic Ball;Steel Rope;;PA66+GF30%;;;MS                                     |  |
| AF4              | 1000431435 | Fix Block;Rop;;;Chrome;MS10;;  |  |
| AF5              | 1000431433 | Protect Bushing;Steel Rope;;PU;BL/Black<br>Screw;Socket Head;M5X0.8PX6L;;Hex |  |
| AF6              | 1000305873 | Socket   |  |
| AH03b            | 1000354841 | Guide base set;Semi-Assy;;;MS24B-KM;Ice                                      | See service bulletin "Adjustable Pulley Hardware Upgrade". |
| AH1              | 015836-A   | Pulley Adjustable Tube   |  |
| AH2              | 025703-B   | PulleySet ;L;Painting;MS21-G2  |  |
| AK1              | 1000359936 | Up Weight Plate Set-Exreawork;;;MS21;  |  |
| B20              | 009247-A   | Axle;Swivel;;S45C;10x25L   |  |
| B22              | 000510-D   | Foot Pad;Rubber;76.2mm   |  |
| B23              | 000508-D   | Foot Pad;Rubber;60mm   |  |
| B24              | 000791-B   | Water Bottle Holder  |  |
| B25              | 004535-AC  | Screw;Hex Socket;Round;M8x1.25Px30L  |  |
| B31              | 1000444959 | RVN;;A2-M8-BF;;;   |  |
| B41              | 087955     | Screw;BH;M6X1.0PX10L;;HS;;CHM;;BP  |  |
| B44              | 1000102893 | Screw;Hex Socket;Flat;M8x1.25Px20L;Cr Pl                                     |  |
| F01              | 073573     | Pulley; 115mm  |  |
| F02              | 073572     | Pulley; 90mm<br>Screw;HH;M10x1.5Px45L;P-                                     |  |
| F03              | 1000104720 | T15L;CHM;BP;G8.8   |  |
| F04              | 004943-00  | Nut;Nylon;M10x1.5P;Cr Plate;   |  |

|     |            |  |   |
|-----|------------|--|---|
| F05 | 1000469945 | Steel Rope Set;;;No Fix Block;Press Rope                                       | Please reuse AF4 and AF6 from the original cable.         |
| F06 | 089983     | Grip;MS21KM-G3;  |   |
| F07 | 1000380094 | Karabiner Spring Snap;;9(45mmx90mm);Sta  |   |
| G04 | 000664-AA  | Foam Grip;Q31.8X320L   |   |
| G05 | 009372-E   | Cap;Grip;GM02  |   |
| G06 | 004855-AC  | Set Screw;M6X1.0PX4L   |   |
| G07 | 009355-B   | Stopper Mast;Foam;AL6061;GM02  |   |
| H12 | 001407-A   | End-Cover;Square Tube;GM03   |   |
| H13 | 014788-E   | Metal Pin; Pull Pin  |   |
| H14 | 1000090177 | Pull Pin Handle;Orange;TPP;137C;MS10   |   |
| H15 | 000845-F   | Sleeve;60x60;Delrin;GM19   |   |
| H16 | 1000398066 | Sleeve;Adjustment;;;;;GM106  | See service bulletin "Improved Adjustable Pulley Sleeve". |
| H19 | 009354-A   | Stopper Mast;SS41;Zn Plate;MS21<br>WASHER;FLT;Diam.20.2XDiam.30.0X2.0T;;C      |   |
| H20 | 005031-AC  | HM   |   |
| H21 | 1000399550 | Nut;Nylon;M20x2.5P;Grade 12.9;Chrome;  |   |
| H22 | 001522-B   | Stopper Block;Rubber<br>Stopper;Pulley Support Plate;MS21                      |   |
| H25 | 008569-A   | 20*20*3T   |   |
| H26 | 037746-A   | Stopper;Rubber   |   |
| H27 | 1000373696 | Sleeve;;;painting;;Iced Sliver;MS21;   |   |
| H27 | 037987-AA  | Tube(Painting);MS21-H27  |   |
| H30 | 1000422225 | Fixing Plate;Pulley Supt Plate;L;Stainle                                       |   |
| H32 | 1000422226 | Fixing Plate;Pulley Supt Plate;Rt;Stainl<br>Rubber Plate;Stopper;;NBR;Q520-7-3 |   |
| H33 | 1000354060 | MATTE  |   |
| K06 | 015942-AA  | Weight Plate Set;10 Lbs;Dry Bearing  |   |
| K09 | 1000210973 | Guide Rail;19x2000L  |   |

|           |            |  |   |
|-----------|------------|--|---|
| K10       | 1000212618 | Adjust set;Semi-Assy;;Service;;GM30C;;                 | Pin + Lanyard   |
| K10       | 1000372591 | Adjustable Pin;Weight Plate;;42CrMo;Chro               |   |
| K17       | 004720-AH  | Screw;Hex Socket;Oval;M8X1.25PX20L                     |   |
| K18       | 005040-00  | Washer;Flat;Diam.8.5xDiam.19.0x1.5T;;Bla               |   |
| K19       | 1000104705 | Screw;RND;M6x1.0Px15L;HS;CHM;BP;G8.8                   |   |
| K25       | 005847-A   | Lanyard;Weight Selection Pin                           |   |
| K28       | 1000345425 | Stopper Ring;Guide Rod;;;Chrome;GM41;;                 |   |
| L02       | 1000098481 | Weight Plate, Incremental                              |   |
| L03       | 1000098483 | Extrawork;Incremental Weight Plate Hook;               |   |
| L04       | 000755-CA  | Elastomer;Incremental Weight Plate                     |   |
| Not Shown | 024579-A   | Hardware Pack  |   |
| Not Shown | 1000364887 | Cover set;Semi-Assy;back;;;MS23KM-G3;;<br>(Back Cover) | Original logo design; used BEFORE July 2021. See the service bulletin "Top Cap and Shroud Change".  |
| Not Shown | 1000456271 | Cover set;Semi-Assy;back;;New                          | New logo design; used since July 2021. See the service bulletin "Top Cap and Shroud Change".  |
| V03       | 006620-D   | LOGO;;MS23<br>Decal;Weight Plate;10LBS                 |   |
| V03       | 1000449988 | Spec Label;;10 LBS;White Word/Black Base               | NEW 2020: These weight stack decals list effective weight (original decals show actual weight of the weight plate). See service bulletin Weight Stack Decal Change. |
| V04       | 006662-A   | Decal;Adjustable                                       |   |
| V05       | 006652-C   | Decal;Incremental Weight Plate                         |   |

|       |               |  |   |
|-------|---------------|--|---|
| V06   | 006653-C      | Decal;Weight Plate   |   |
| V22   | 1000109127    | Decal;Pinch Point ;MS21KM-G3   |   |
| V23   | 1000232600    | Warning Label;-;-;PC;-;-   |   |
| V24   | 1000218630    | Warning Label;Pull Pin   |   |
| Z01   | 004822-AB     | Screw;Umbrella Hex Scocket;M10X1.5PX100L                                       |   |
| Z02   | 008523-B      | Washer;Arc;M10x28x10.5T;SS41<br>Screw;Hex                                      |   |
| Z05   | 004556-AB     | Socket;Round;M12x1.75Px25L;Cr;   |   |
| Z06   | 005132-00     | Washer;Flat;13x26x2.5T;Chromed<br>Screw;Hex Socket;Round;M6x1.0Px25L;;Zn-<br>B |   |
| Z07   | 004468-00     | SCREW;SH;M6X1.0PX45L;;HS;;CHM;;  |   |
| Z11   | 004557-A      | Nut;Nylon;M6X1.0P;Chromed  |   |
| Z12   | 004938-00     | Rubber Block;Shock Absorb  |   |
| Z13   | 001513-A      | Screw;Hex Socket;Button  |   |
| Z30   | 1000309031    | Head;M6X1.0PX45L   |   |
| Z31   | 1000104723    | Washer;FLT;6.2x13.0x1.0t;CHM   |   |
| 1     | 1000349151    | Frame set;;;Iced Sliver;MS25KM-G3;;Servi                                       |   |
| AB1   | Order Kit 1   | Frame Set;;;painting;;Iced Sliver;MS25KM                                       |   |
| AF2   | 1000434801    | Steel Rope Set   | Please order kit (F05) instead.   |
| AG1   | Order Kit 2   | Grip Set;Painting;MS21-G2  |   |
| AH03a | Not Available | Pulley Housing   | Housing no longer available as a service part; this housing was used prior to 2016. |
| V25   | 1000364025    | Warning Label;Anti Falling Down;French;;                                       |   |
| B31   | 004975-00     | Insert Nut;Brass;ALS7-8125-3.8(0.5-3.8)  | Discontinued  |
| F05   | 1000301743    | Steel Rope-Extrawork;-;-;Press Rope Hand                                       | Discontinued - Total length = 7.741 meters.   |
| F07   | 078462        | Karabiner Spring Snap;;9(45mmx90mm);;Cr  | Discontinued  |



|     |            |  |  |
|-----|------------|--|--|
| H16 | 1000399446 | Adjustable Sleeve;ADJ;;20CrMo;;GM106;Dia | Discontinued - See service bulletin                  |
| K10 | 1000091374 | Weight Stack Pin;Orange;Zn Plate;M       | "Improved Adjustable Pulley Sleeve".<br>Discontinued |